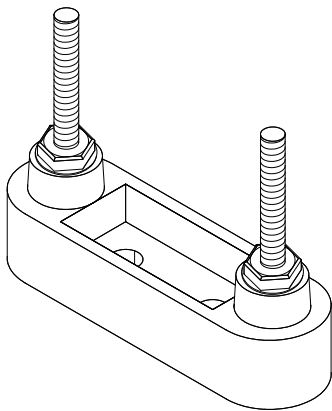


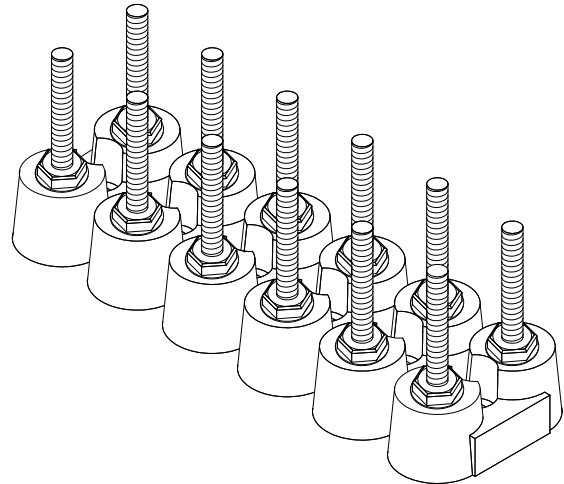


## AAR TERMINAL BLOCKS

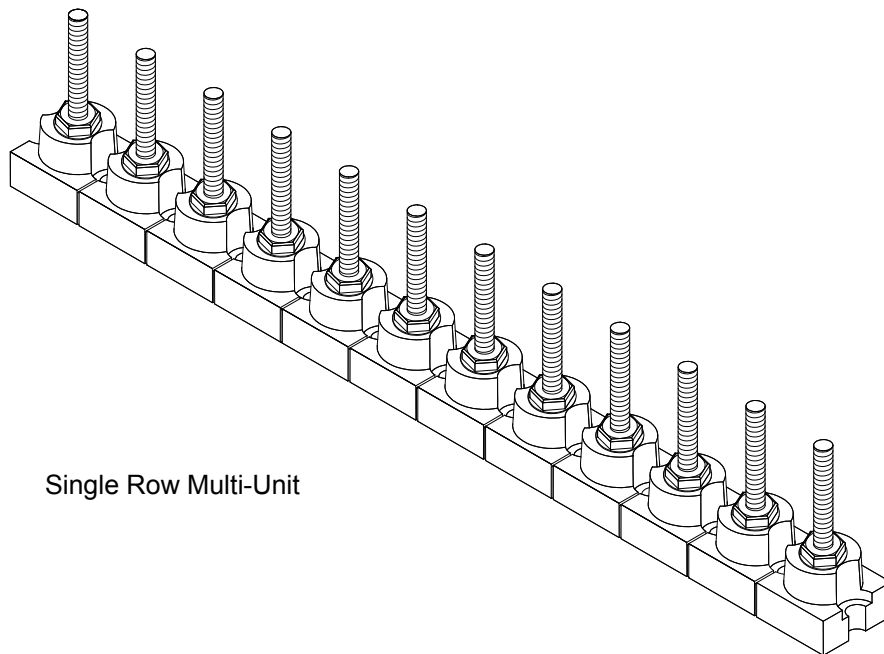
- Molded from High Quality Bakelite Phenolic
- AAR 14.1.12-1 Terminal Posts
- Easily Cut



2-3/8" Two Post Unit



Double Row Multi-Unit



Single Row Multi-Unit



Certificate # 2380/00

PDS 0633-11 C

1 of 2

TWINCO Terminal Blocks		
Twinco Part Number	Description	Terminal Spacing
014-0633-0-A	2-3/8" Two Post Unit (Bare Block)	2 -3/8
014-0633-0-0	2-3/8" Two Post Unit (as shown)	2 -3/8
000-1828-1-0	2-3/8" Two Post Unit <i>Complete w/ hardware</i>	2-3/8
014-0632-0-A	Double Row Multi-Unit (Bare Block)	1
014-0632-0-0	Double Row Multi-Unit (as shown)	1
000-1814-1-0	Double Row Multi-Unit <i>Complete w/ hardware</i>	1
000-1697-0-A	Single Row Multi-Unit (Bare Block)	1
000-1697-0-0	Single Row Multi-Unit (as shown)	1
000-1805-1-0	Single Row Multi-Unit, <i>Complete w/ hardware</i>	1

- Twinco Terminal Blocks are sold either Bare Block (No Hardware), with 1 AAR Washer and 1 AAR Clamp Nut on each post, or "Complete w/ Hardware" (Refer to Chart for Twinco Part Numbers)
- "*Complete w/ Hardware*" indicates terminal post hardware is supplied. Hardware consists of 3 AAR Washers (14.1.11-8), 2 AAR Binding Nuts (14.1.11-6) and 1 AAR Clamp Nut (14.1.11-7) per post.
- Consult the factory for any special hardware arrangements or assembly requirements.