



BH110 TRANSFORMER RECTIFIER

- Provides Constant Voltage for Switch, Signal, & Communication Circuits
- Simple, Rugged, Modular Design
- Available in Single or Three Phase AC Input
- NYCT Approved & Preferred



Certificate # 2380/00

PDS 1794-00 C

1 of 4

TWINCO MFG. CO., INC.

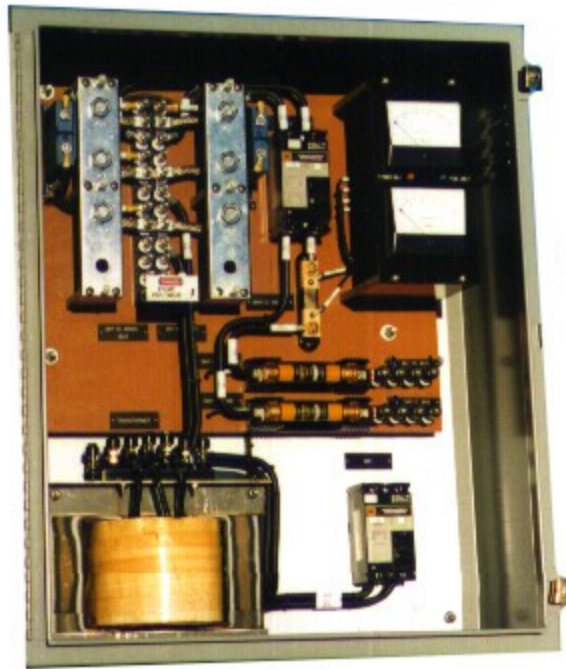
30 Commerce Dr., Hauppauge, NY 11788-3904

Ph 800-854-2338

Fx 631-231-0314

<http://www.twincomfg.com>

Interior Component Layout (Cover Removed)



PRODUCT DETAILS

All Wires are #6 Awg except as noted.

Transformer:

Dry Type, Air Cooled.

All Taps Terminated with Standard AAR Terminal hardware.

Single Phase 110/120V Primary, 125/130/135/140V Secondary.

Three Phase 208/220V Delta Primary, 89/96/105V Secondary Wye.

AC Input Circuit Breaker:

Single Phase 50A / 240V 2 Pole Molded Case.

Three Phase 30A / 240V 3 Pole Molded Case.

DC Output Switch 100A / 250VDC 2 Pole Square D Class 601.

Fuses, 60A Class RK1 Dual Element, Time Delay.

Note replace with a shunt to utilize existing system fuses if required.

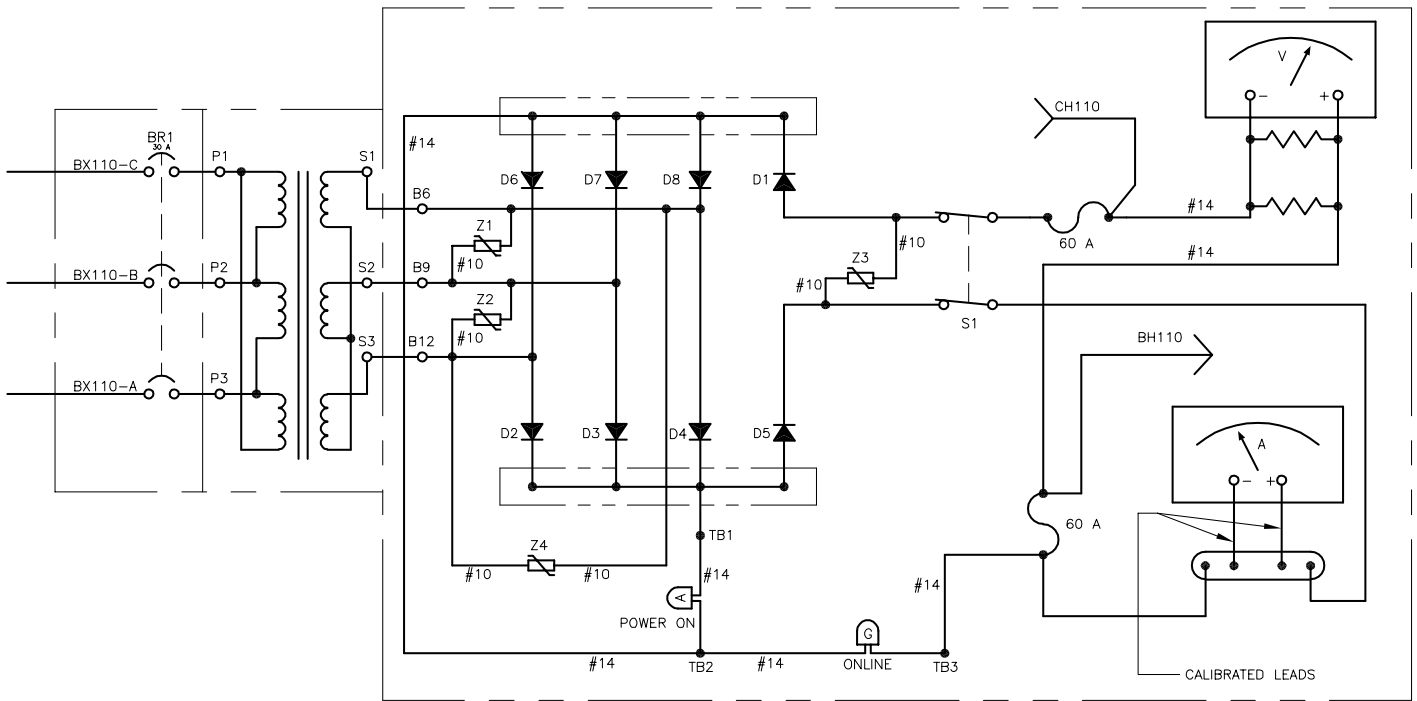
LED Indicators for Energized (Amber) and On Line (Green).

DC Voltmeter 0-150 VDC +/-2% full scale accuracy.

DC Ammeter 0-100 Amperes +/- 2% full scale accuracy with 100 Amp Shunt.

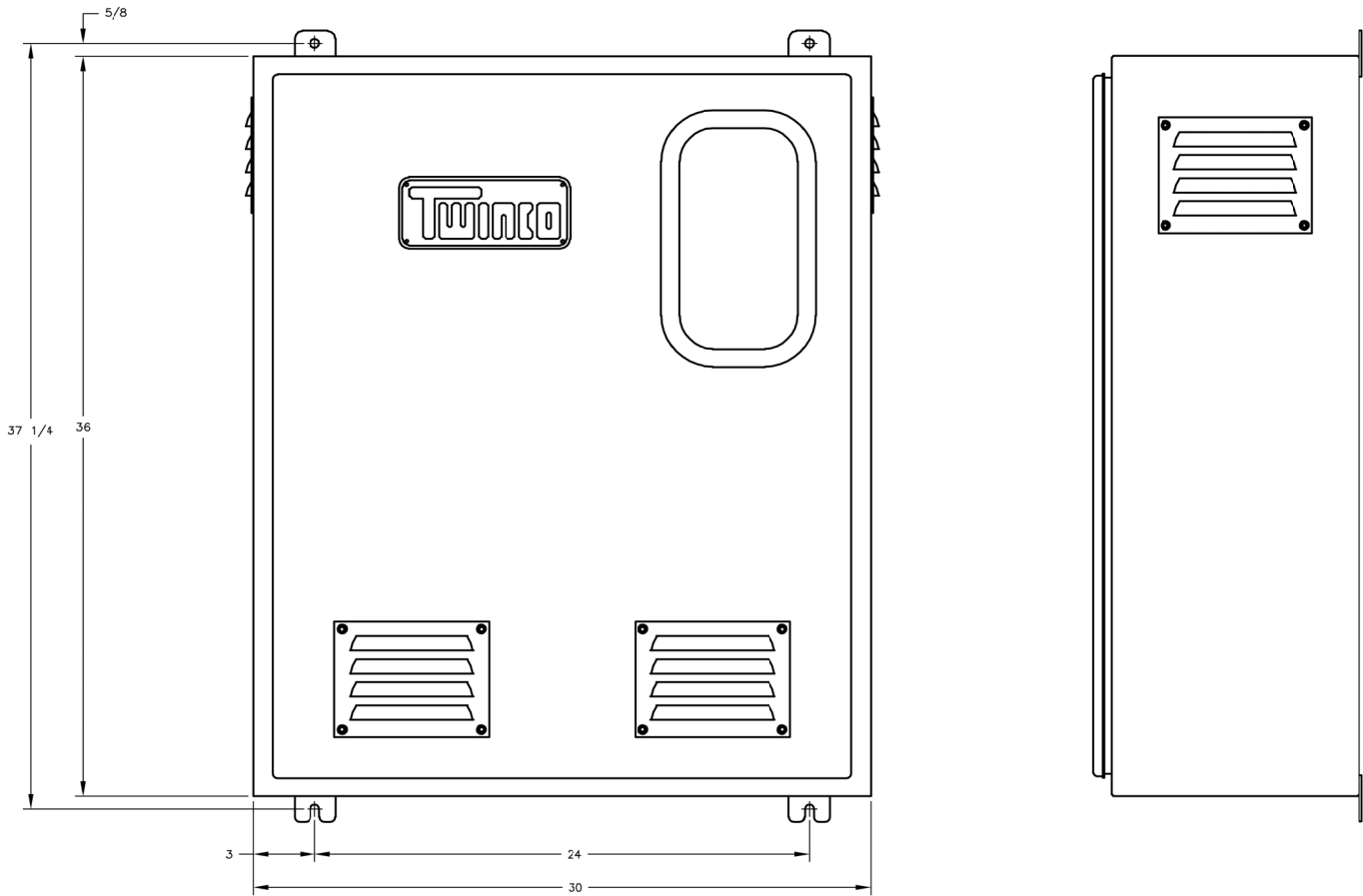
Standard AAR Terminal Output connections.

Natural Convection Cooling.



3 PHASE WIRING SCHEMATIC

TWINCO BH110 Transformer Rectifiers									
TWINCO PART NUMBER	DESCRIPTION								
	STYLE	PHASE	TRANSFORMER Input (KVA)	DC OUTPUT		DIMENSIONS (In.)			WT. (Lbs.)
				VOLTS	AMPS	D	W	H	
069-1794-1-0	BH110	1	7.5	110	100	16	30	36	300
069-1794-2-0	BH110	3	9.0	110	100	16	30	36	450



MOUNTING DETAILS

- Standard part number listed above. Contact factory for specific requirements
- Contact factory for mounting & cable connection hardware.
- Request Twinco Service Manual for more detailed information