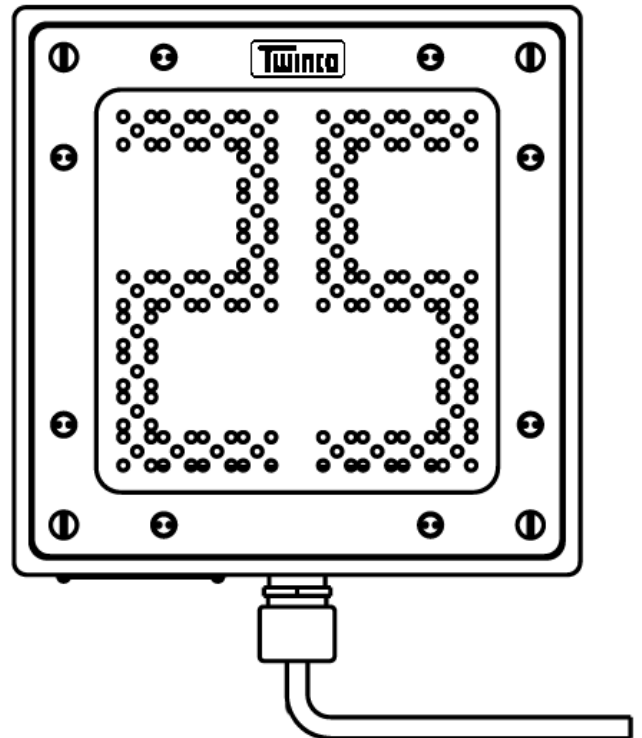




ST LED SIGN

- Utilizes LED Technology for:
 - Long Life
 - Reduced Maintenance Costs.
 - Low Power Consumption.
- Water Resistant Aluminum Housing
- Rear Mounting Bracket for 3" Diameter Pole Provided
- Other Custom Arrangements Available, Consult Factory
- Operating Voltage
 - AC 12-15 V, 60 HZ
 - DC 12-15 V



Certificate # 2380/00

PDS 2110-09 A

1 of 3

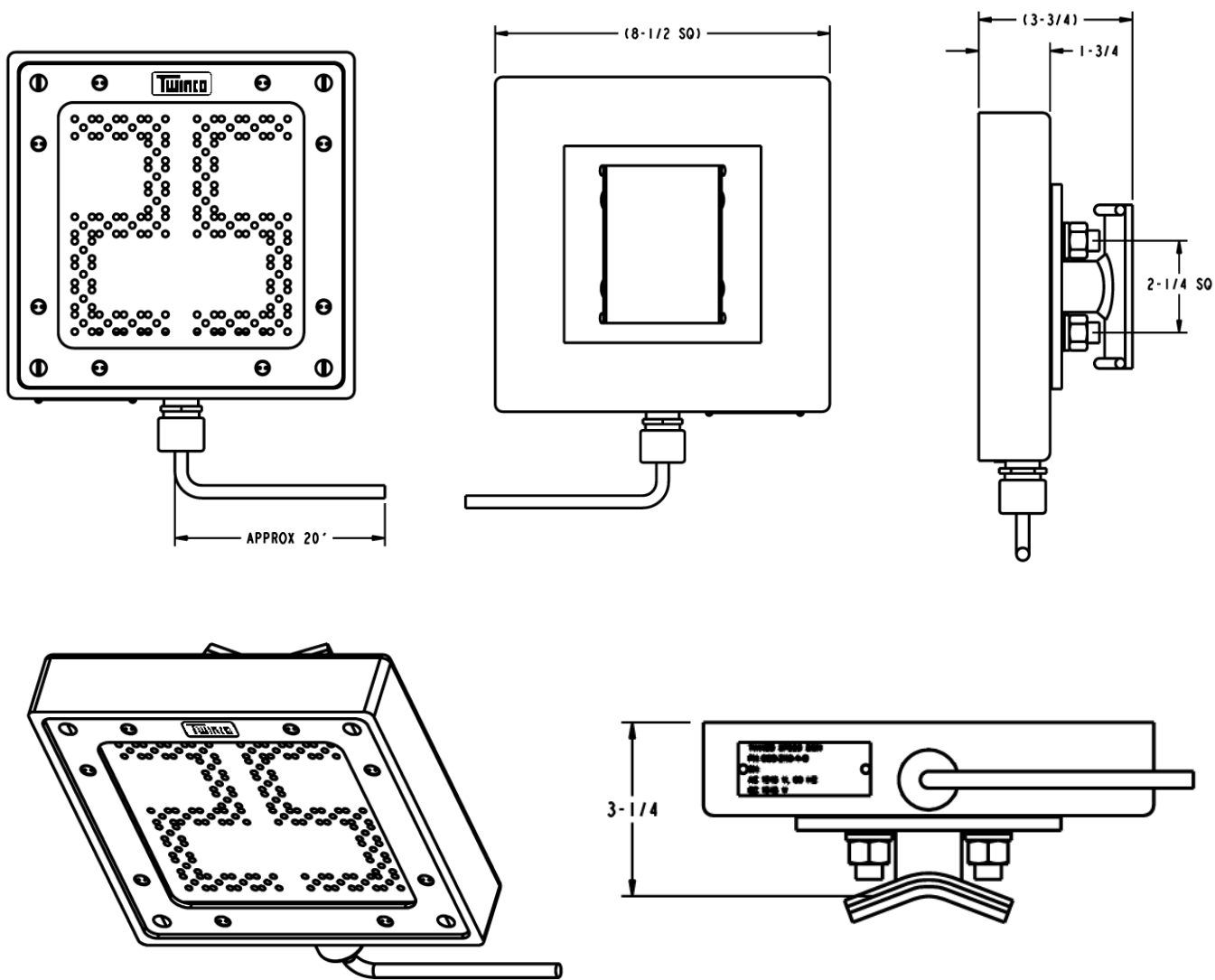
TWINCO MFG. CO., INC.

30 Commerce Dr., Hauppauge, NY 11788-3904

Ph 800-854-2338

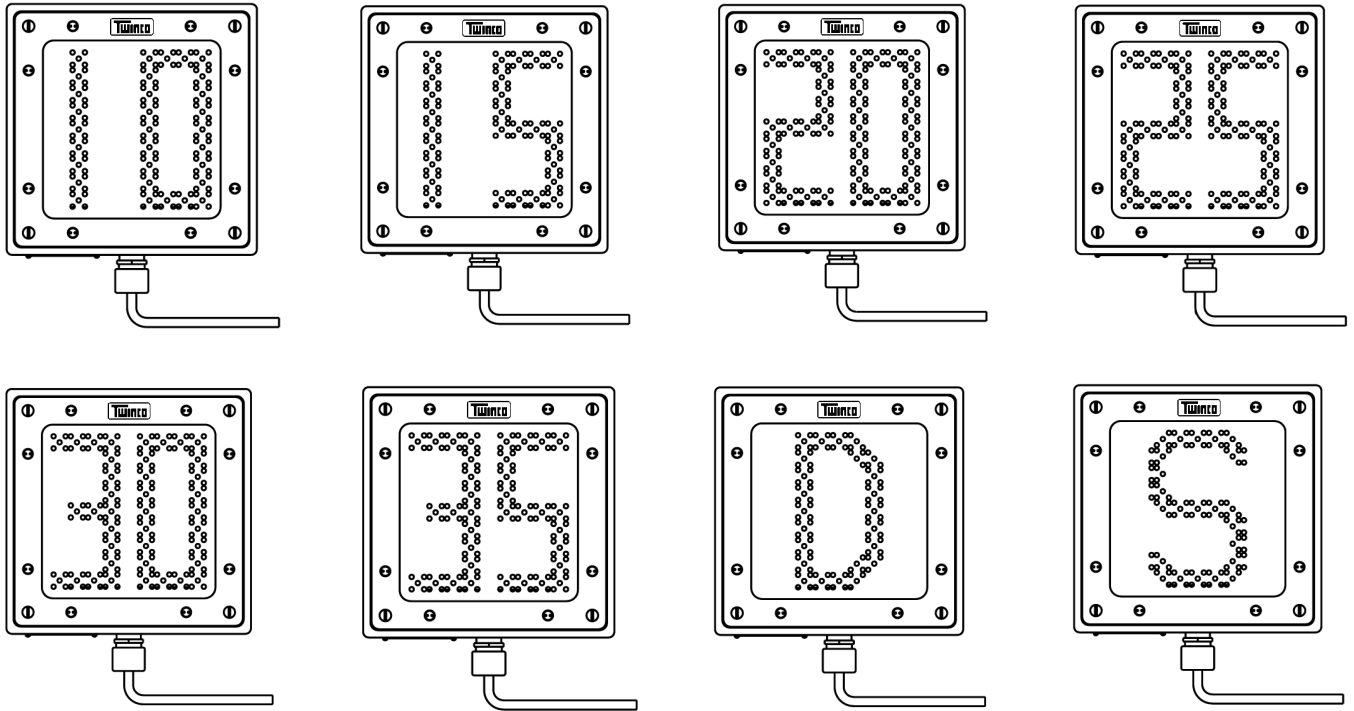
Fx 631-231-0314

<http://www.twincomfg.com>



General Specifications

| | |
|-------------------|----------------|
| Weight | 25 lbs |
| Power Consumption | 5 watts at 12V |



| ST LED SIGNS | |
|--------------------|--------------------|
| TWINCO PART NUMBER | DESCRIPTION |
| 069-2110-1-0 | ST-10 MPH LED SIGN |
| 069-2110-2-0 | ST-15 MPH LED SIGN |
| 069-2110-3-0 | ST-20 MPH LED SIGN |
| 069-2110-4-0 | ST-25 MPH LED SIGN |
| 069-2110-5-0 | ST-30 MPH LED SIGN |
| 069-2110-6-0 | LED SIGN "D" |
| 069-2110-7-0 | LED SIGN "S" |
| 069-2110-8-0 | ST-35 MPH LED SIGN |