



TYPE S1 TRANSFORMER

P/N 067-2036-1-0

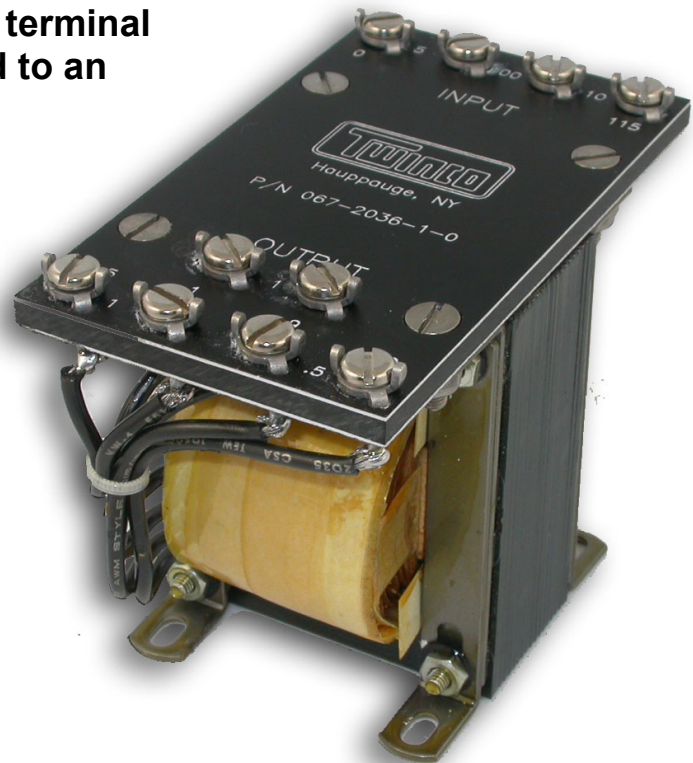
Design Features:

- Small and compact
- Mount in housing of most signal units and switch machines
- Can be wall or rack mounted

Applications include:

- lighting signal lamps
- panel lamps
- feeding clearance track circuits.

Connections are made to No. 10-32 terminal screws which are securely fastened to an interface board.



Certificate # 2380/00

PDS 2036-04 A

1 of 2

TWINCO MFG. CO., INC.

30 Commerce Dr., Hauppauge, NY 11788-3904

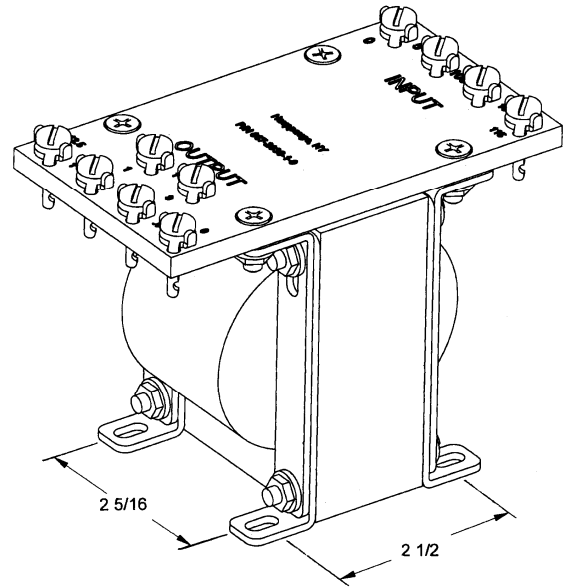
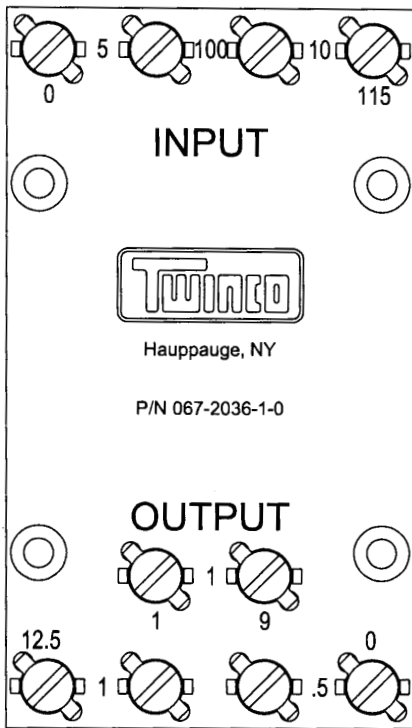
Ph 800-854-2338

Fx 631-231-0314

<http://www.twincomfg.com>

TYPE S1 TRANSFORMER

Primary Volts	Secondary Volts	Secondary Amperes	Total Volts/ Amps	Part Number
115 (5-100-10)	12.5 (0.5-9-1-1-1)	4.8	60	067-2036-1-0



Length: 4.875"
 Height: 3.75"
 Width: 2.75"